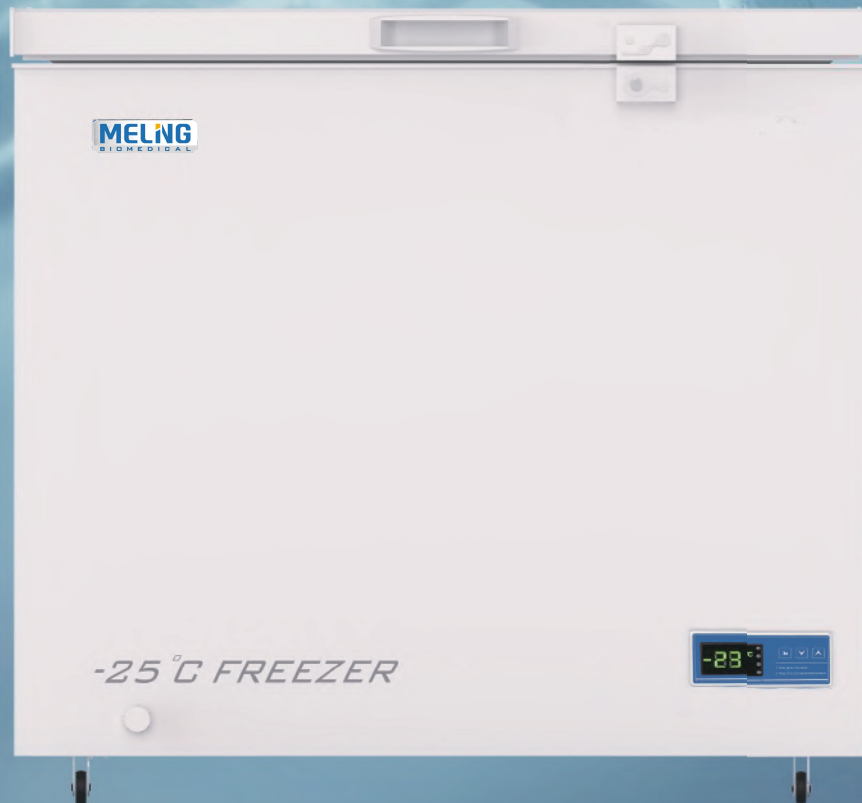


# -10°C ~-25°C Biomedical Freezer

Stable Performance • High Quality



## DW-YW226A / DW-YW358A / DW-YW508A

### Refrigeration System

- The environmentally friendly Freon-free refrigerant and high-efficiency enclosed compressor supplied by a famous brand can ensure energy saving and low noise.
- The condenser installed on the bottom ensures temperature stability and system reliability.

### Temperature Control System

- The high-precision computerized temperature control system ensures an adjustable temperature within a range from -10 to -25°C inside the cabinet.

### Security System

- The well-developed audible & visual alarm system (sensor failure alarm, high temperature/low temperature alarm, etc.) makes it safer for storage;
- The turn-on delay and stopping interval protection function can ensure reliability in running.

### Human-oriented Design

The airbag-type built-in door gasket is dustproof and easy to clean.





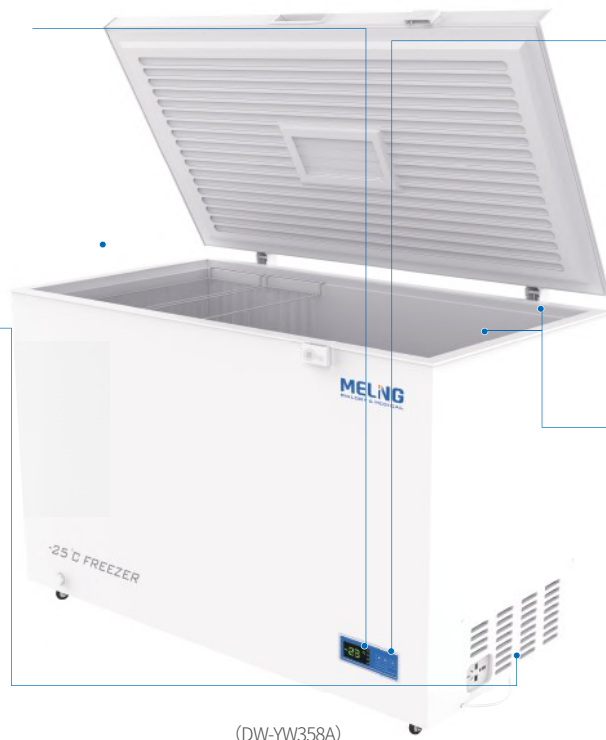
### Temperature Control System

- The digital temperature display can indicate operating status clearly;
- The high-precision microcomputer temperature control system enables users to set the temperature inside the cabinet within a range from -10°C to -25°C.



### Refrigeration System

The environmentally friendly Freon-free refrigerant and high-efficiency enclosed compressor supplied by a famous brand can ensure energy saving and low noise. The condenser installed on the bottom ensures temperature stability and system reliability; The CFC-free polyurethane foam technology and the thicker insulating layer can improve the effect of thermal insulation.



(DW-YW358A)



### Security System

- The well-developed audible & visual alarm system makes it safer for storage;
- The turn-on delay and stopping interval protection function can ensure reliability in running;



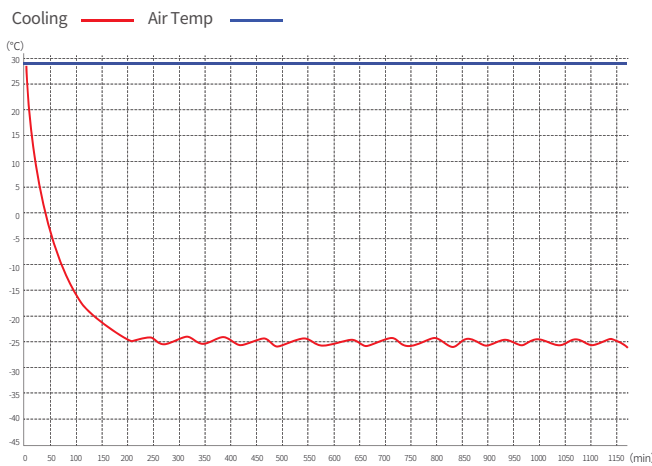
### Human-oriented

- The design of upward door opening and the balancing door hinge facilitate door opening;
- The built-in shelves are convenient for placement of things.

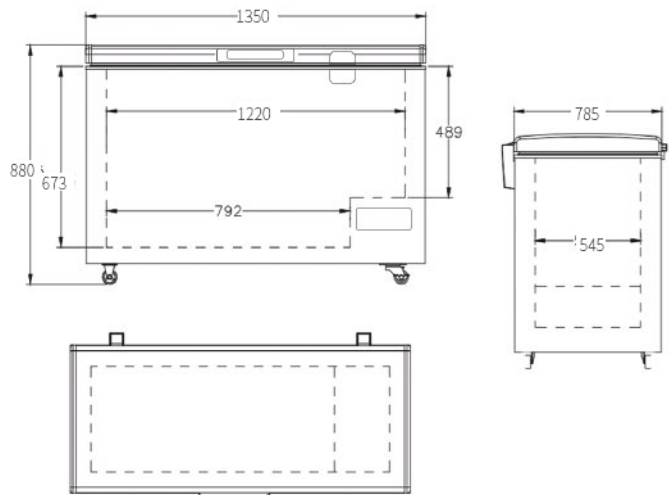
## ✓ Scope of Application

Suitable for freezing of ice bars and storage of various things needing refrigerated storage such as blood plasma, reagent, etc. Suitable for use in hospitals, clinics, health and disease prevention systems, blood banks, laboratories in colleges & universities, the frozen food industry and catering industry, etc.

## 🔗 Performance Data / Cooling Curve



## 📏 External Dimensions (DW-YW358A)



## Specification Chart

<b>-10°C ~-25°C Biomedical Freezer</b>			
<b>Model</b>	<b>DW-YW226A</b>	<b>DW-YW358A</b>	<b>DW-YW508A</b>
<b>Cabinet Type</b>	Chest	Chest	Chest
<b>Capacity(L)</b>	226	358	508
<b>Internal Size(W*D*H)mm</b>	954*410*703	1220*545*673	1504*545*673
<b>External Size(W*D*H)mm</b>	1115*610*890	1350*785*880	1650*735*880
<b>Package Size(W*D*H)mm</b>	1180*665*1010	1440*803*1074	1775*852*1061
<b>NW/GW(Kgs)</b>	50/55	60/66	74/95
<b>Performance</b>			
<b>Temperature Range</b>	-10~-25°C	-10~-25°C	-10~-25°C
<b>Ambient Temperature</b>	16-32°C	16-32°C	16-32°C
<b>Cooling Performance</b>	-25°C	-25°C	-25°C
<b>Climate Class</b>	N	N	N
<b>Controller</b>	Microprocessor	Microprocessor	Microprocessor
<b>Display</b>	Digital display	Digital display	Digital display
<b>Refrigeration</b>			
<b>Compressor</b>	1pc	1pc	1pc
<b>Cooling Method</b>	Direct cooling	Direct cooling	Direct cooling
<b>Defrost Mode</b>	Manual	Manual	Manual
<b>Refrigerant</b>	R290	R290	R134a
<b>Insulation Thickness(mm)</b>	75	70	70
<b>Construction</b>			
<b>External Material</b>	Powder coated material	Powder coated material	Powder coated material
<b>Inner Material</b>	Embossed aluminum sheet	Powder coated material	Powder coated material
<b>Coated Hanging Basket</b>	1	2	2
<b>Door Lock with Key</b>	Yes	Yes	Yes
<b>Casters</b>	4 (2 casters with brake)	4 (2 casters with brake)	6 (2 casters with brake)
<b>Alarm</b>			
<b>Temperature</b>	High/Low temperature	High/Low temperature	High/Low temperature
<b>System</b>	Sensor failure	Sensor failure	Sensor failure
<b>Electrical</b>			
<b>Power Supply(V/HZ)</b>	220/50	220/50	220/50
<b>Rated Power(W)</b>	109	110.7	200
<b>Input Power(W)</b>	150	187	220
<b>Power Consumption(KWh/24h)</b>	1.06	1.3	2.63
<b>Rated Current(A)</b>	0.64	0.85	1.89

\*The model, parameters and performance specified in this brochure may be changed without prior notice because of product upgrading.

\*There may be differences between the product images shown in this brochure and the actual products. When you are buying any product, please check the actual product.